



# Steel Tubular Door and Partition Wall System

The combination of transparency and safety

**HÖRMANN**



# Contents



Hörmann highlights	4-5
Product ranges	6-7
Accessories	8-9
Surfaces and colours	10
Structures and fittings	11

# Hörmann Highlights

For a better visual experience without compromising safety



# 1

## Elegant and transparent appearance

Hörmann steel tubular door and partition wall system consist of good-quality steel tubular and fully glazed structure. The bright glass and slim tubular will provide more light and better visibility, making you enjoy the sunlight and scenery with great transparency and visual experience.

# 2

## Robust and durable products

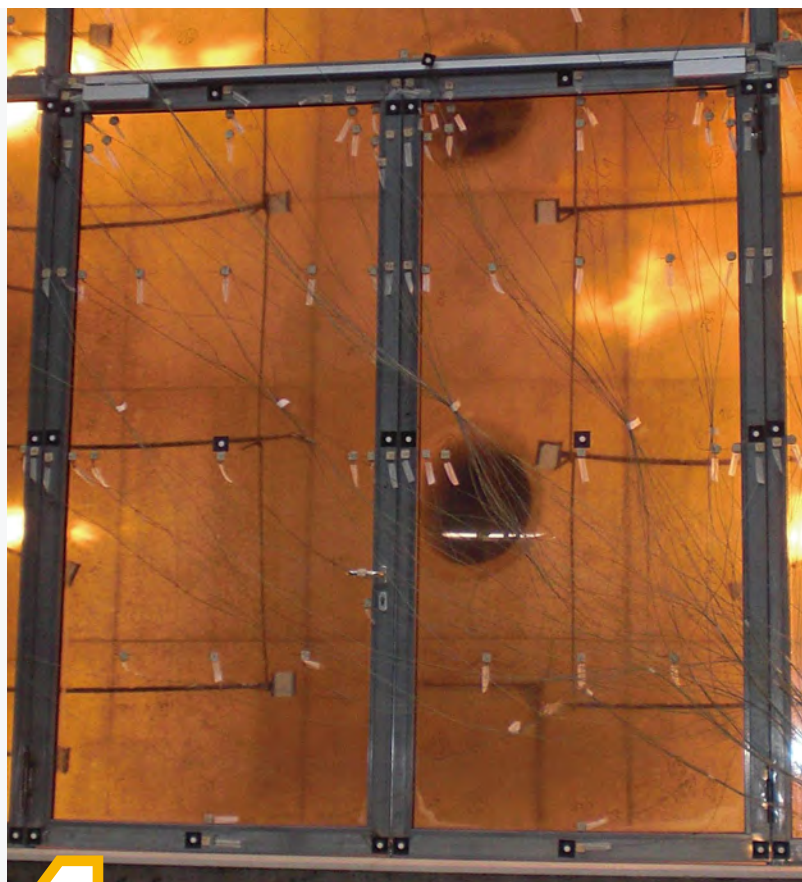
From the first step of processing, Hörmann selects good-quality steel tubular profile, glazing and accessories to produce reliable tubular door and partition wall system. With exquisite processing, the performance of stability, security and comfort will be fulfilled. Steel tubular door and partition wall system can widely fit into various projects, which makes the products ideal choices for area partition and passage way partition wall.



# 3

## Wide variety of designs

Steel tubular doors enable flexible designs including single leaf, double leaf and other combinations. We can offer you individual, and delicately proportioned solutions which do justice to every demand placed on design and aesthetics to satisfy architecturally challenging or unusual requirements, without compromising safety.



# 4

## Heat-insulation and fire-resistant functions

Hörmann has a long history of more than 50 years in developing and producing fire-resistant doors. For decades, Hörmann designs and manufactures doors strictly according to the EN and GB standards. Consisting of professional fire-proof tubular and fire-resistant glass, steel tubular doors with fire-resistant and/or heat-insulation functions will guarantee a safe and reliable environment for your daily work and life.



# Product ranges

## H55 and H70 series products

### H55 and H70 series products



H55 and H70 serial products can be made into doors and partition wall, lightweight and robust, for both interior and exterior use. The slim profiles and extensive glazing can offer you a great visual experience.

### H55 F fire-resistant products



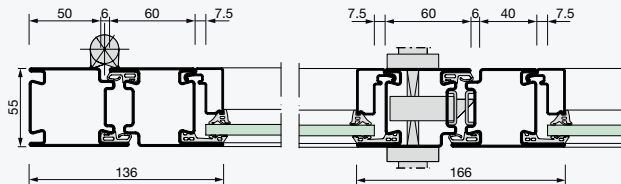
H55 F products are equipped with fire-resistant glass without compromising the transparency. The fire-resistant performance ensures you more precious time in an emergency.

### H70 F insulated and fire-resistant products

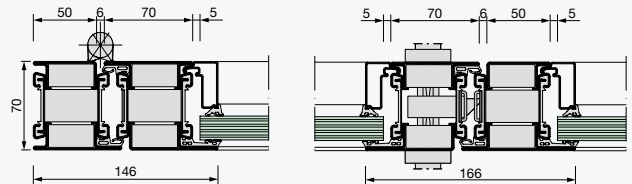


H70 F is designed with both heat-insulated and fire-resistant functions. This ensures the protection of people and property in the neighboring rooms and enables a safe evacuation of the building.

### H55 Tubular products cross sections



### H70 Tubular products cross sections



### Technical parameters

Profile type	H55	H55 F	H70	H70 F
Profile thickness	55 mm	55 mm	70 mm	70 mm
Function	-	Fire-resistant	Thermal insulation	Fire-resistant and thermal insulation
Glass type	Single layer clear tempered glass 6 mm / 10mm Single layer clear laminated glass 8 mm Double layer clear tempered glass 25 mm	Single layer fire-proof glass 12mm	Double layer clear tempered glass 25 mm triple layer clear tempered glass 44 mm	Multi-layer fire-proof thermal insulated glass 44 mm
Usage	Interior / Exterior	Interior	Interior / Exterior	Interior
Single leaf door max. size	1500 x 3000 mm	1400 x 2700 mm	1500 x 3000 mm	1000 x 2300 mm
Double leaf door max. size	3000 x 3000 mm	On request	3000 x 3000 mm	2100 x 2300 mm
Side element max. size per unit	3000 x 4000 mm	On request	3000 x 4000 mm	Not available
Transom light max. size per unit	3000 x 2000 mm	On request	3000 x 2000 mm	Not available

All dimensions are referred to structural opening size by width x height.



INTENSIVSTATION  
Tür elektronisch gesichert  
Nur mit Karte öffnen

Überwachungsstation  
(IMC) 1A  
Überwachungsstation  
(IMC) 1B



# Accessories

Provide you with ideal experience



Door closers with sliding rail are selected for tubular doors. The good features include reliability and safety, as well as a clear and modern design. It presents tubular doors with elegant appearance.



The 3D adjustable hinges made of galvanized steel will ensure the smooth operation and durability of the door.



The specially designed cranked handle will keep the fingers away from danger while opening the door.



The good-quality lock ensures the tubular doors with good performance on durability and safety.

# For life of comfort and ease

Your satisfaction is our consistent pursuit

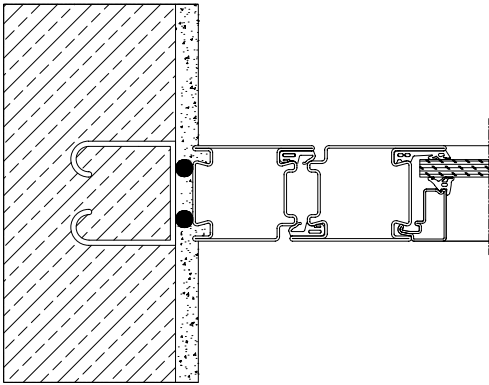


The surfaces of tubular products are available in various colours and well matches style and colour of the building. Smooth and tight, the painting on the surface is dense and uniform. The bright color will create a harmonious indoors atmosphere, meeting your individual colour demands.

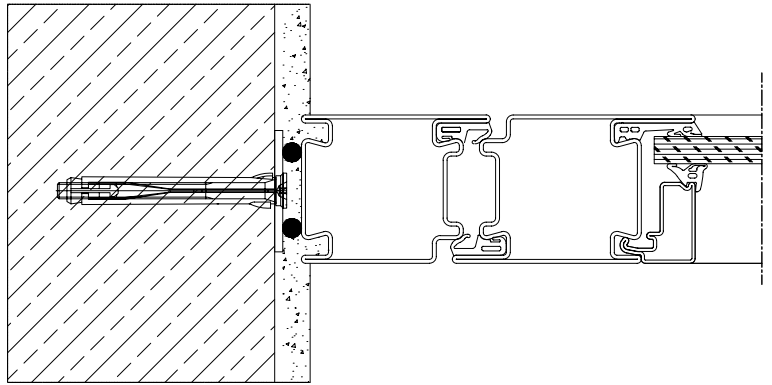


# Tubular door and partition wall system

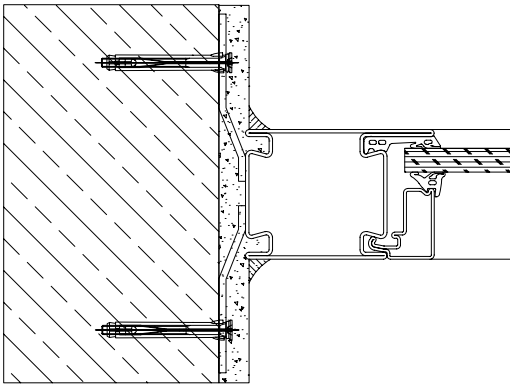
## Types of fixing



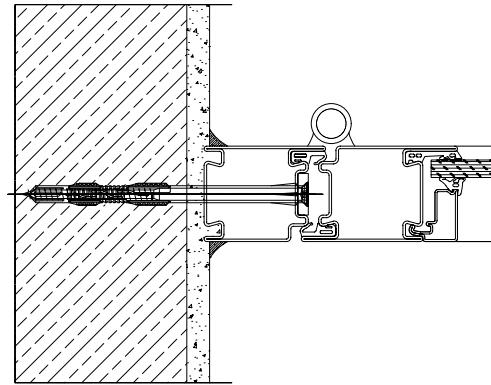
**Weld on anchor plate Type D1 (Standard)**



**Weld on anchor plate Type D2**

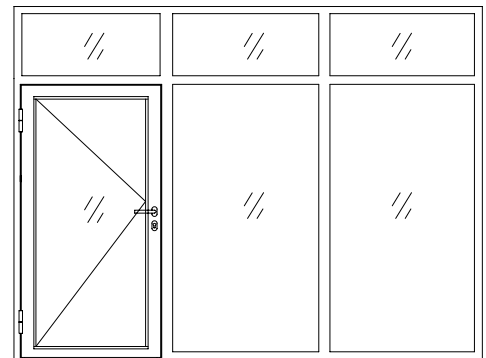
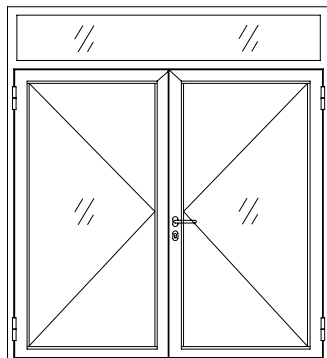
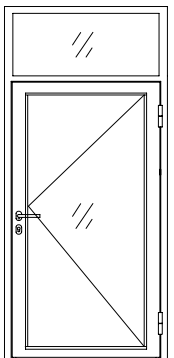
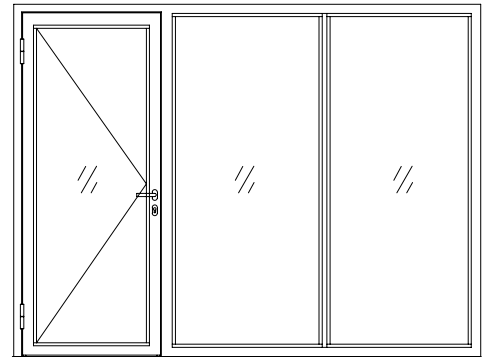
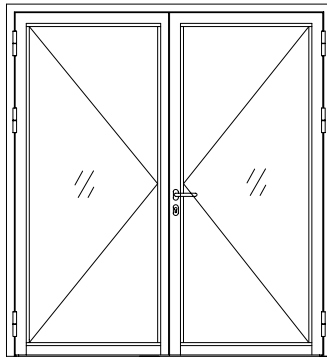
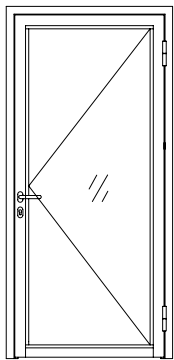


**Tie plate external to frame Type B**



**Central Hole in frame Type A**

## Different solutions



More Hörmann solutions are available on request.  
Transom lights, side elements and partition walls are not available for fire-resistant product styles. Please consult us if necessary.

# Hörmann: Quality without Compromise



Hörmann KG Amshausen, Germany



Hörmann KG Antriebstechnik, Germany



Hörmann KG Brandis, Germany



Hörmann KG Brockhagen, Germany



Hörmann KG Dissen, Germany



Hörmann KG Eckelhausen, Germany



Hörmann KG Freisen, Germany



Hörmann KG Ichtershausen, Germany



Hörmann KG Werne, Germany



Hörmann Alkmaar B.V., Netherlands



Hörmann Legnica Sp. z o.o., Poland



Hörmann Beijing, China



Hörmann Tianjin, China



Hörmann LLC, Montgomery IL, USA



Hörmann Flexon LLC, Burgettstown PA, USA



Shakti Hörmann Ltd. India

Hörmann is a professional manufacturer worldwide that offers you a complete range of major building products from one source. We manufacture in specialized factories using the advanced production technologies. The comprehensive manufacturing, sales and service network in Europe, Asia and America makes Hörmann your strong international partner for the high-quality construction. "Quality without Compromise".

**GARAGE DOORS**  
**OPERATORS**  
**DOORS**  
**PARTITION WALLS**  
**INDUSTRIAL DOORS**  
**LOADING TECHNOLOGY**

Copyright. No part of this brochure may be reproduced without our permission. Subject to changes.

Print: 09. 2019 ( Issue: 09. 2019) 1121120186  
 Some of the doors shown in this brochure have special features and therefore do not always represent the standard version.

[www.hoermann.com](http://www.hoermann.com)

